

M-1640 Series Single Component Guns

M-1640 Single Component Dispense Gun

General Description:

EMC² offers versatility and precision for manual or robotic applications with our air operated automatic adhesive gun, designed for consistency, dependability and long term operation with a broad range of single component adhesive formulations. Like the M-830 dispense gun series, this valve employs a balanced spool design and draws back to close the valve insuring a clean cut off of the dispense bead. The lightweight, aluminum gun is compact (2" x 2" x 8") for robotic applications or can be fitted with an air or electric operated trigger handle for manual operation. It readily adapts to many different dispensing tips.

Features:

- Works with most standard 1-component formulations
- Adapts to many different disposable or permanent tips
- Draw back non-drip design saves material cleanup
- 5/16" diameter spool provide high flow capacity
- "TIN" coated spool extend the life of the spools and seals
- SAE ports
- Divorced air cylinder design means material won't affect actuator
- Wet seal ensures longer life for seals and gun
- Lightweight aluminum construction with hardened Helicoil inserts for long thread life
- Standard air cylinder
- Flushable or Non-Flush outlet block optional
- Production proven since 1986

Specifications:

- Rated @ 3000 psi working pressure
- Air-operated spool design
- #6 SAE ports for material inlet and outlets
- Compact size: 2" x 2" x 8"

Options:

- Air-operated trigger handle easily added for hand-held operation
- Electric-operated trigger handle easily added for hand-held operation



dispensing
DEFINED

METER, MIX, DISPENSE SINCE 1977

WWW.EMCSQUARED.COM

6855 19 MILE RD. STERLING HEIGHTS MI 48314 586.254.1525

EMC²
INCORPORATED

EMC² Inc.

The following is the new standard in which all employees of EMC² Inc. should follow when identifying our guns

M — 1640 — x — x — x — x
 O-Rings Seals Model Special

O-Ring
Ethylene Propylene= EP Viton= V

Seals
Duralast = Leave Blank Nickel Teflon = NK

Model
Manual Electric Trigger = ME Manual Air Trigger = MA Automatic = A

Special
With Fitting and Check Valves = FIT Shim Kit = SHK Nothing = Leave Blank

M — 4004B — x — x — x — x **Windshield Urethane Gun**
 M — 4005B — x — x — x — x **Tip Shut off Gun**
 M — 4008B — x — x — x — x **Mastic Drop Gun**
 O-Rings Seals Model Special

O-Ring
Ethylene Propylene= EP Viton= V

Seals
UHMWPE = Leave Blank Polymyte = PM

Model
Manual Electric Trigger = ME Manual Air Trigger = MA Automatic = A

Special
With Fitting and Check Valves = FIT Tube Mounting = M Nothing = Leave Blank

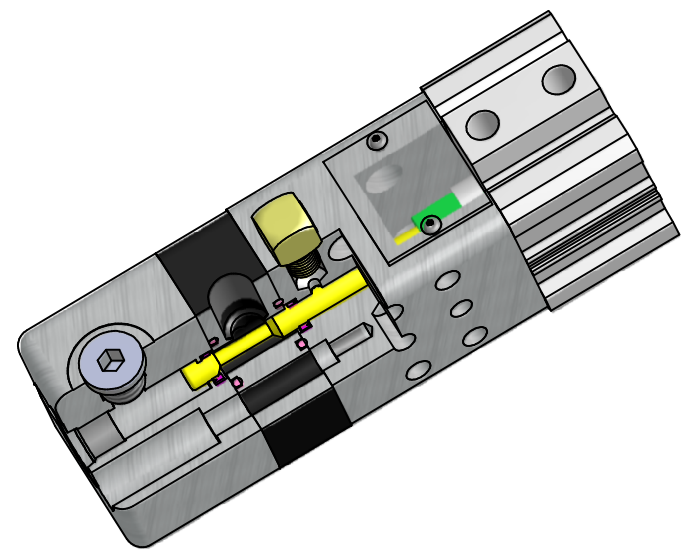
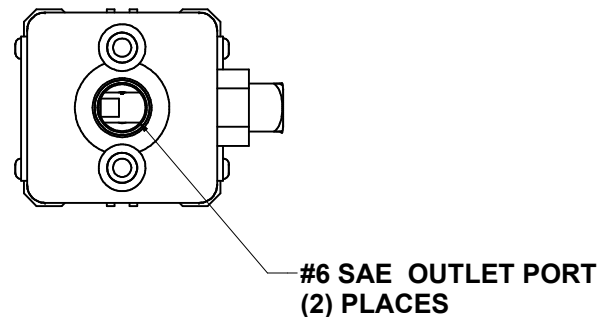
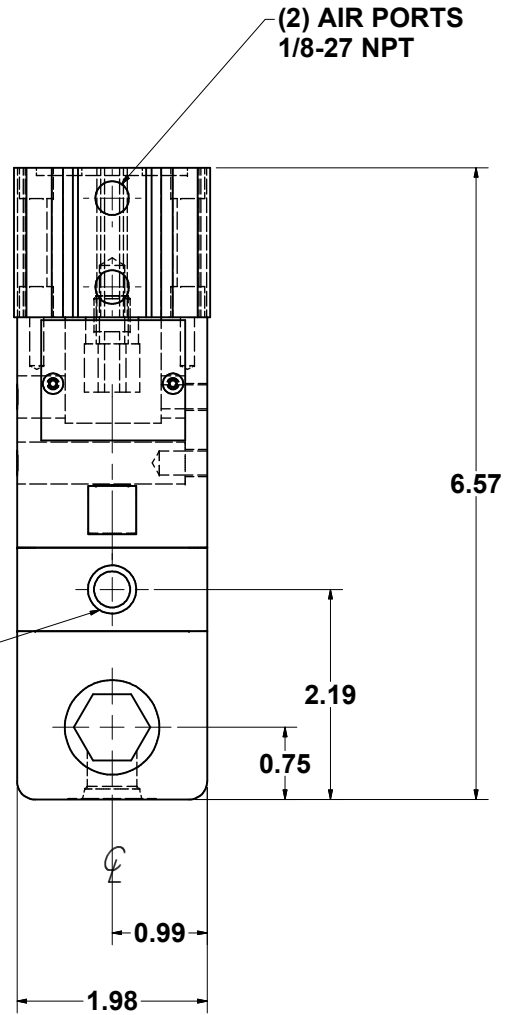
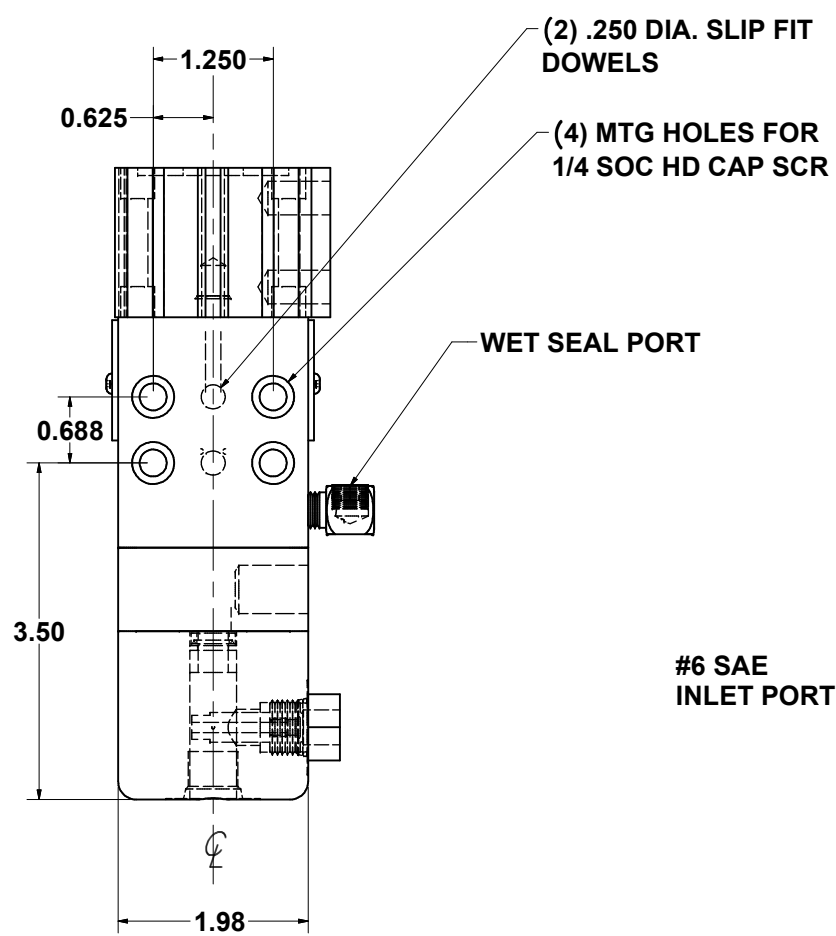
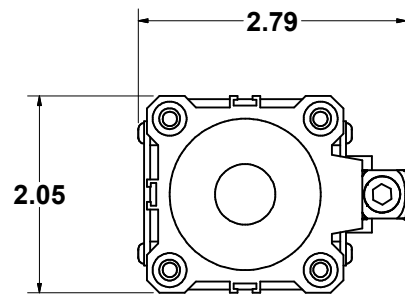
M — 4600 — x — x — x — x **Manual Flow Gun**
 O-Rings Seals Model Special

O-Ring
Ethylene Propylene= EP Viton= V

Seals
UHMWPE = Leave Blank Polymyte = PM

Model
Manual Trigger = M

Special
Nothing = Leave Blank



DO NOT SCALE DRAWING		DRAWN	mbecker	9/30/2008
		CHECKED		
		QA		
		APPROVED		

EMC² Inc. 6855 19 Mile Rd. Sterling Heights, MI 48314 (586) 254-1525 www.emcsquared.com cservice@emcsquared.com		
M-1640 DIM. DRAWING		
SIZE	DWG NO	REV
D	M-1640-LIT	V6
SCALE	SHEET 1 OF 1	

CONFIDENTIAL: PROPERTY OF EMC² INC.
 THIS DOCUMENT CONTAINS PROPRIETARY AND TRADE SECRET INFORMATION WHICH IS TO BE USED ONLY FOR THE PURPOSE WHICH IT HAS BEEN FURNISHED BY EMC² INC. IT IS NOT TO BE COPIED OR DISCLOSED WITHOUT PRIOR PERMISSION OF EMC² INC. THIS NOTICE SHALL APPEAR ON ANY COMPLETE OR PARTIAL REPRODUCTION OF THIS DOCUMENT.

DIMENSION TOLERANCES (UNLESS OTHERWISE SPECIFIED)			
MILLIMETERS		INCHES	
1 PLACE ± 0.3mm	2 PLACE ± 0.01	3 PLACE ± 0.005	4 PLACE ± 0.0005

Z:\ACADDWG\M-1600\M-1640-LIT.dwg