

Rotary Pumps

High Precision Metering

M-4455 Series Gerotor Pumps

General Description:

The M-4455 series pumps are designed around a time tested, 4-5/8" diameter Gerotor group and have been optimized to pump adhesives with viscosity ranges from 1000 cps to 100,000 cps. Output for the 4455 series is 7.4 CI/Rev (121 CC) and can run up to 20 RPM. The pump features cast iron components and a "wet" seal design which works well with the Urethane products. The standard NPT ports, 1-1/4" diameter shafts and flange mount design make this the ideal pump for new adhesive applications or retrofitting old ones.

Gerotor Size	Theoretical Displacement	
	CI per rev	CC per rev
O40	7.4	121

Features:

- Positive Displacement
- Cast Iron Housings
- Hardened Tool Steel Gerotor Group
- Standard NPT Pipe Thread Ports
- Wet Seal Design
- Works with Low and High Viscosity materials
- All pumps fully tested

Specifications:

- 1-1/4" Pipe Thread Ports
- 2000 PSI Maximum Working Pressure
- Standard Duralast seals (Proprietary Urethane)
- Works at Temperatures up to 180° F. (Seal Material Dependent)
- 1-1/4" Diameter Shaft
- Maximum RPM - 40 (Higher speed option with different seals)

Options:

- Different Sealing Materials available
- Nickel Coatings available for corrosive materials



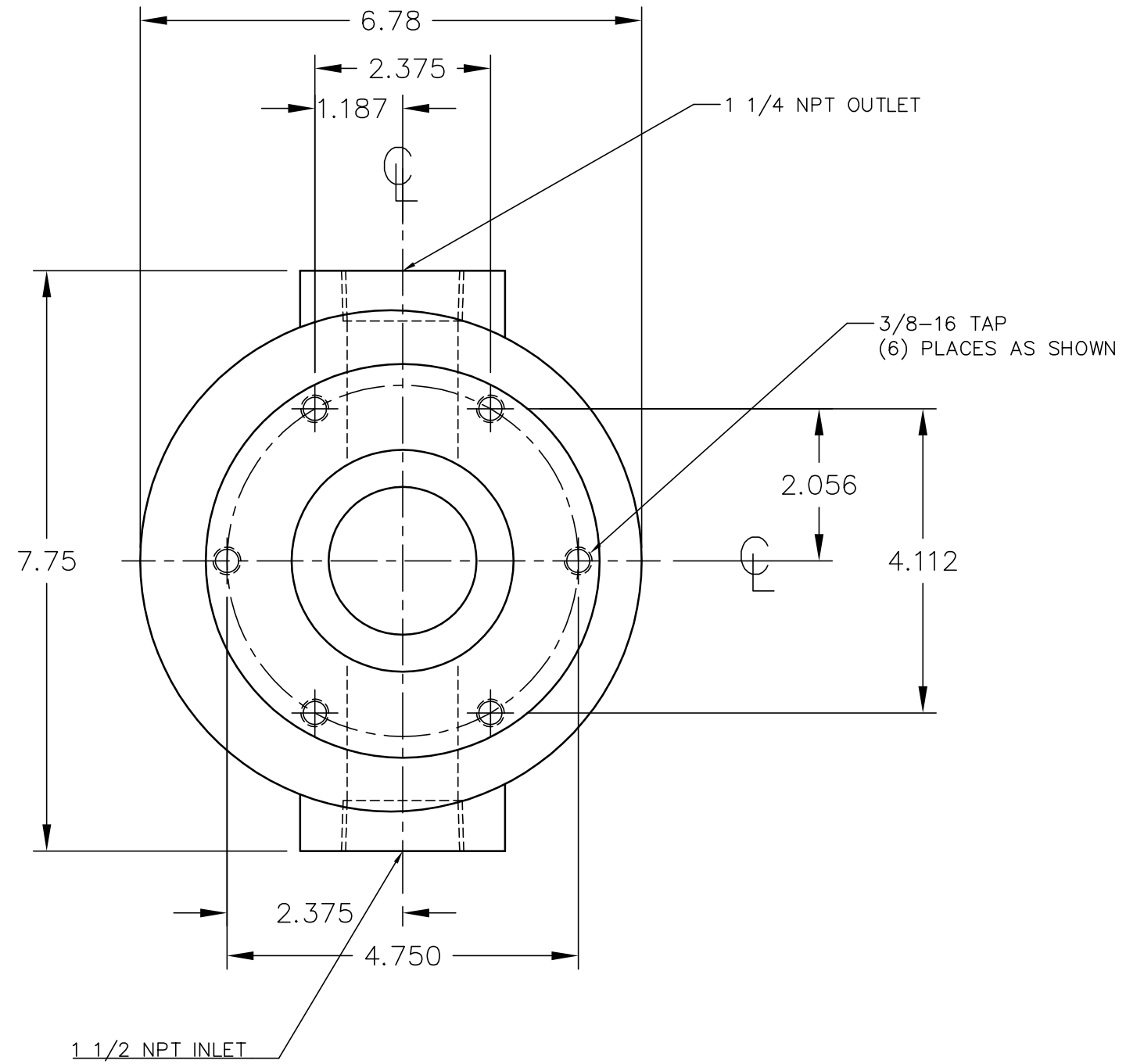
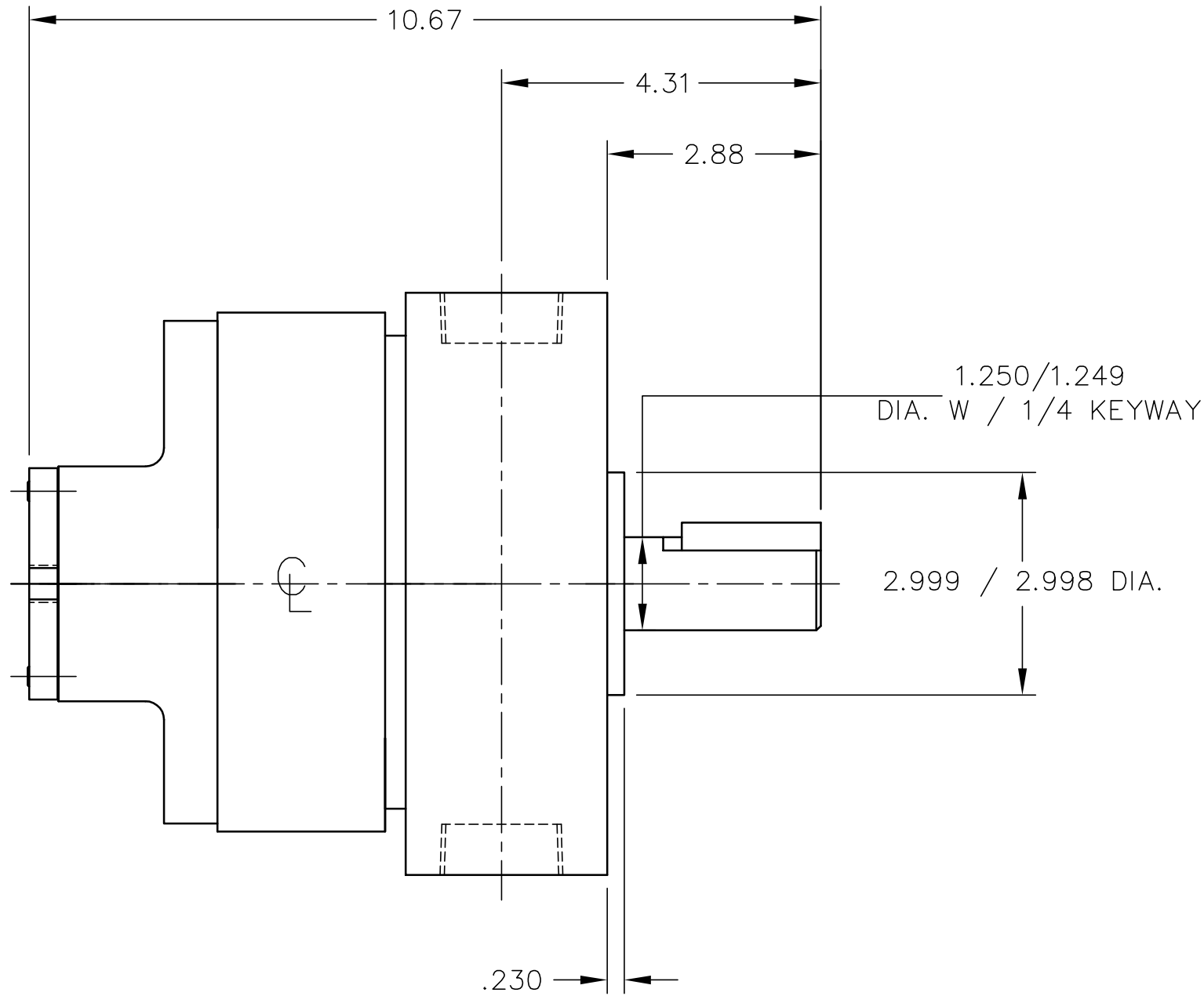
dispensing
DEFINED

METER, MIX, DISPENSE SINCE 1977

WWW.EMCSQUARED.COM

6855 19 MILE RD. STERLING HEIGHTS MI 48314 586.254.1525

EMC²
INCORPORATED



DO NOT SCALE DRAWING	3rd ANGLE PROJECTION	DRAWN	MRB	9/30/08	EMC² Inc. www.emcsquared.com	6855 19 Mile Rd. Sterling Heights, MI 48314 (586) 254-1525 cservice@emcsquared.com
		CHECKED				TITLE
		QA			M-4455 0 GEROTOR PUMP SINGLE SHAFT	
		MFG				SIZE
		APPROVED			DWG NO	
					REV	1
					SCALE	
					SHEET	1 OF 1

CONFIDENTIAL: PROPERTY OF EMC INC. THIS DOCUMENT CONTAINS PROPRIETARY AND TRADE SECRET INFORMATION WHICH IS TO BE USED ONLY FOR THE PURPOSE WHICH IT HAS BEEN FURNISHED BY EMC INC. IT IS NOT TO BE COPIED OR DISCLOSED WITHOUT PRIOR PERMISSION OF EMC INC. THIS NOTICE SHALL APPEAR ON ANY COMPLETE OR PARTIAL REPRODUCTION OF THIS DOCUMENT.

DIMENSION TOLERANCES (UNLESS OTHERWISE SPECIFIED)	
MILLIMETERS	INCHES
1 PLACE ± 0.3mm	2 PLACE ± 0.01
2 PLACE ± 0.13mm	3 PLACE ± 0.005
3 PLACE ± 0.013mm	4 PLACE ± 0.0005

M-4455-LIT.DWG